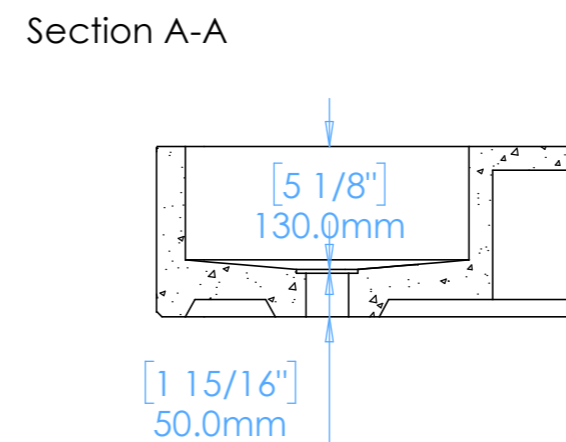
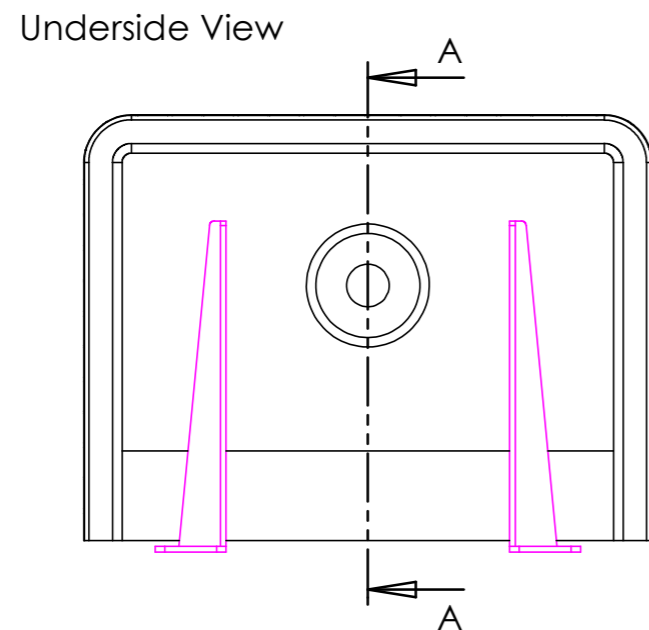
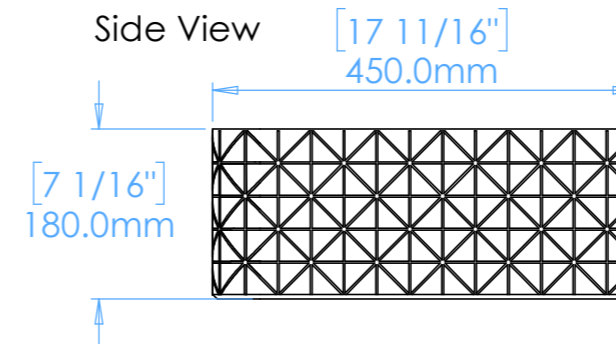
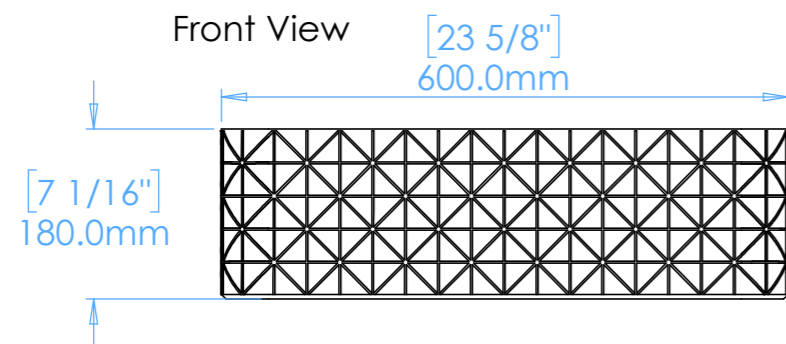
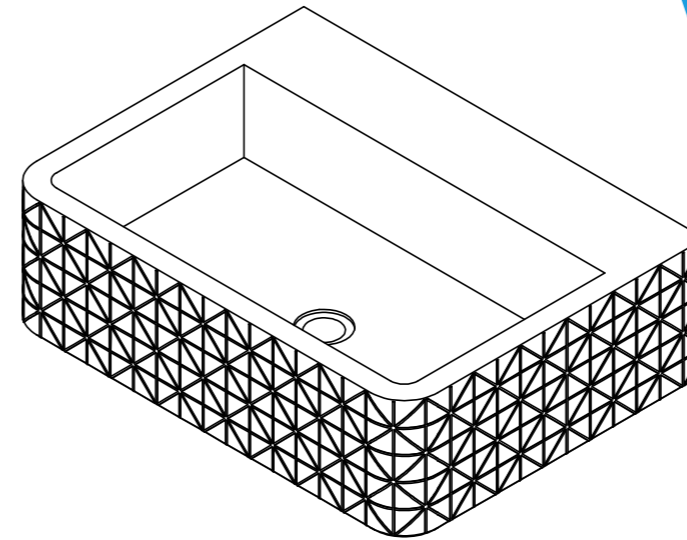
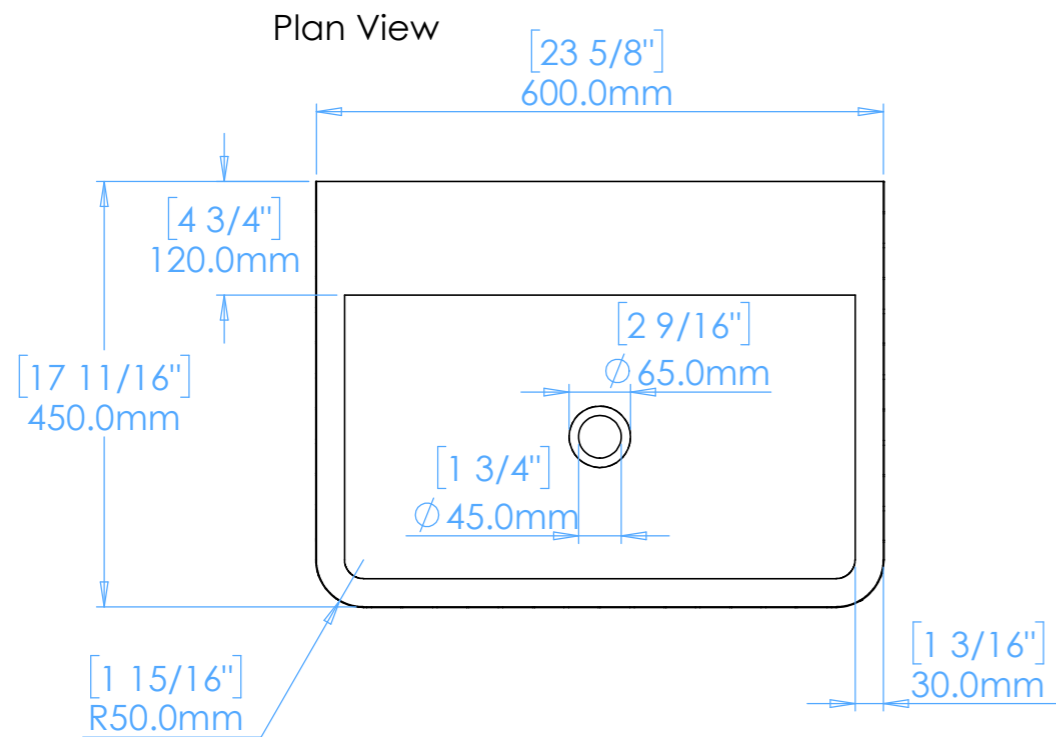


Vos A1



NOTES

Unless otherwise specified, dimensions are in millimeters.

Kast take no responsibility for any dimensions obtained by scaling from this drawing.

DIMENSIONS:	
L600mm (23 5/8inches) W450mm (17 11/16inches) H180mm (7 1/16inches)	
CODE:	V.A1
WEIGHT:	46kg / 102lbs
BRACKETS:	Included
DRAWN BY:	DB
TOLERANCE:	+/- 3mm

Kast

Meden Court
 Boughton
 Nottinghamshire
 NG22 9YU

+44 (0) 1623 709249
 info@kastconcretebasins.com
 kastconcretebasins.com