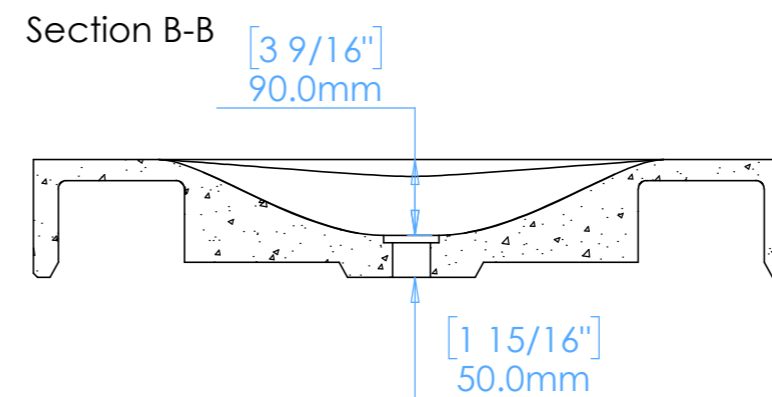
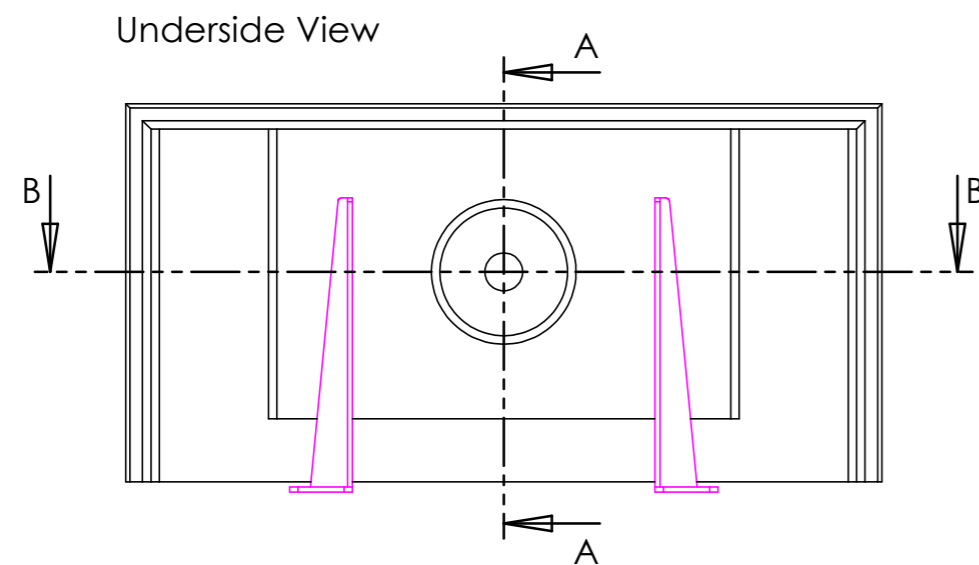
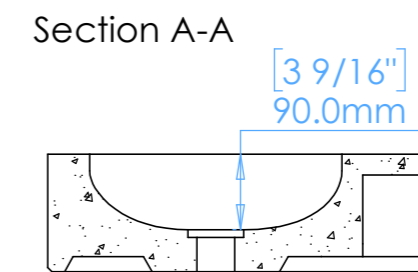
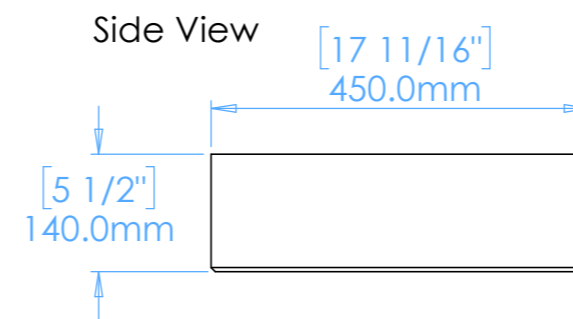
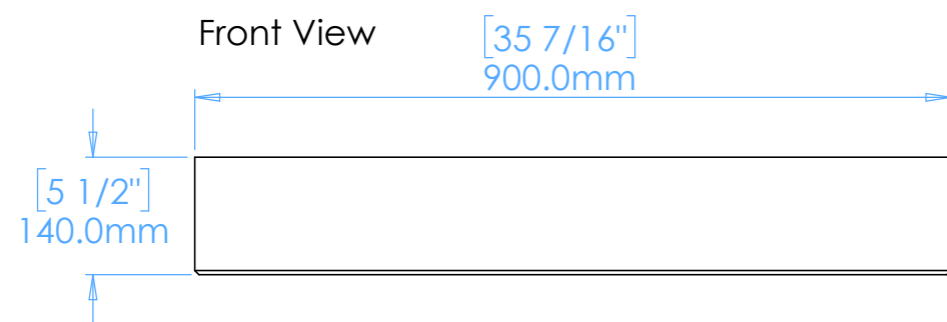
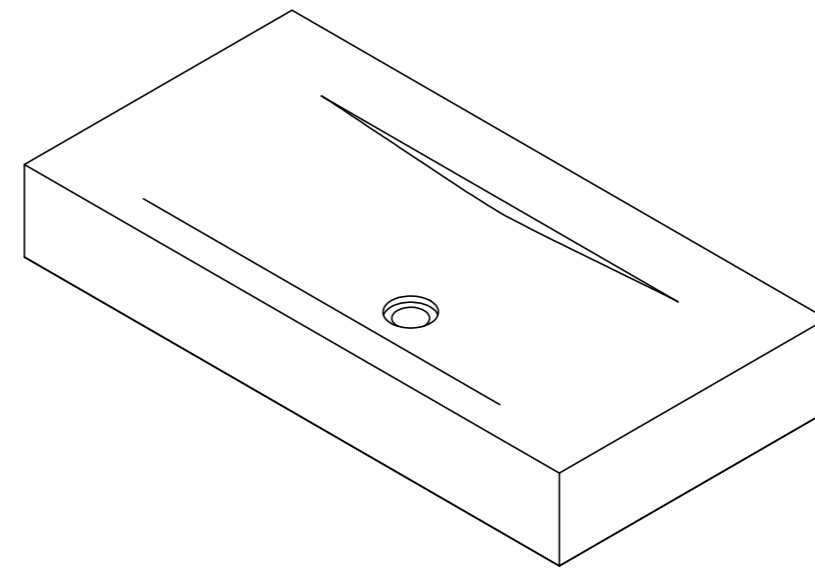
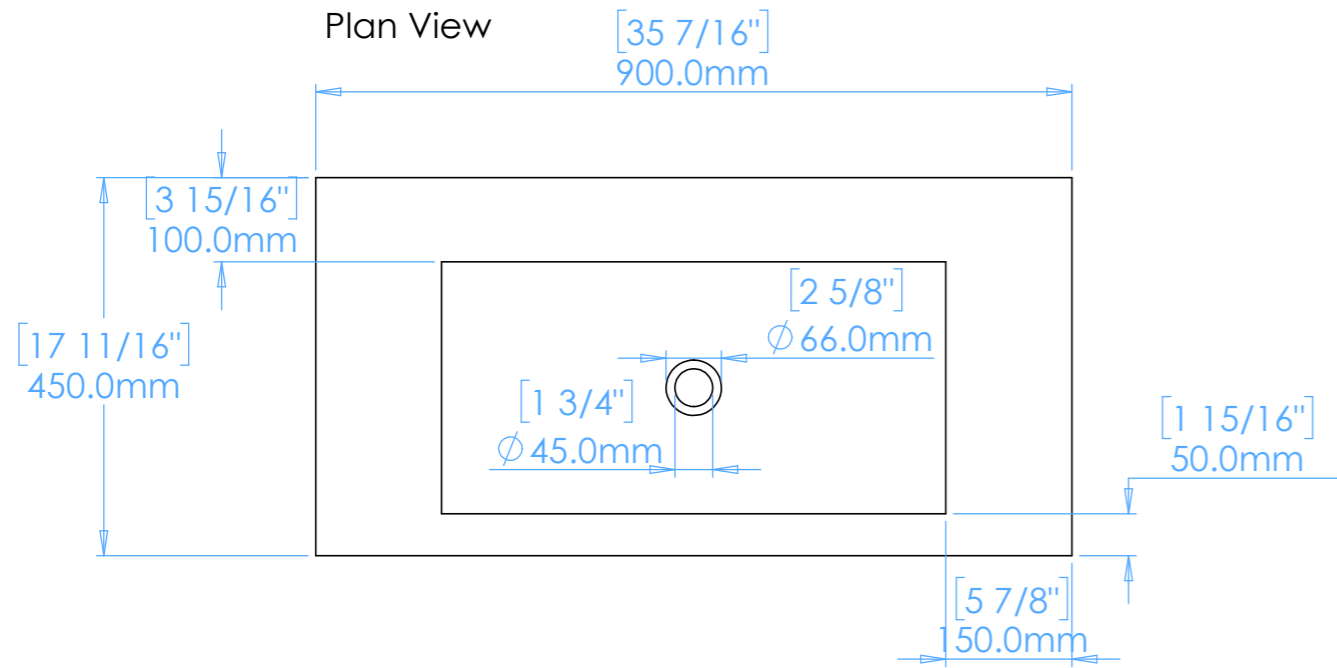


Sono A2

NOTES

Unless otherwise specified, dimensions are in millimeters.

Kast take no responsibility for any dimensions obtained by scaling from this drawing.



DIMENSIONS:

L900mm (35 7/16inches)
W450mm (17 11/16inches)
H140mm (5 1/2inches)

CODE:	SO.A2
WEIGHT:	71kg / 156lbs
BRACKETS:	Included
DRAWN BY:	DB
TOLERANCE:	+/- 3mm

Kast

Meden Court
Boughton
Nottinghamshire
NG22 9YU

+44 (0) 1623 709249
info@kastconcretebasins.com
kastconcretebasins.com