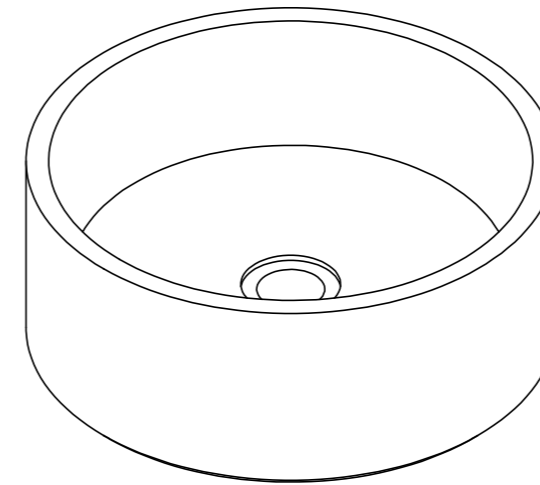
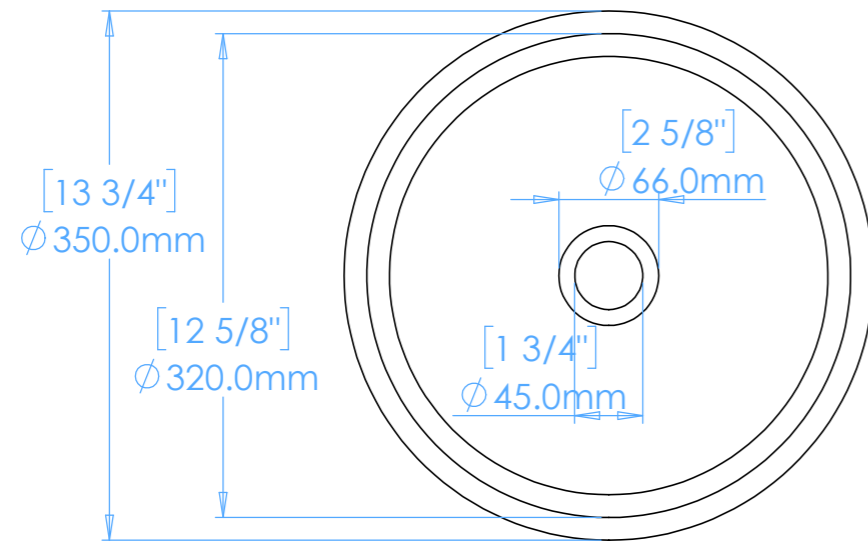
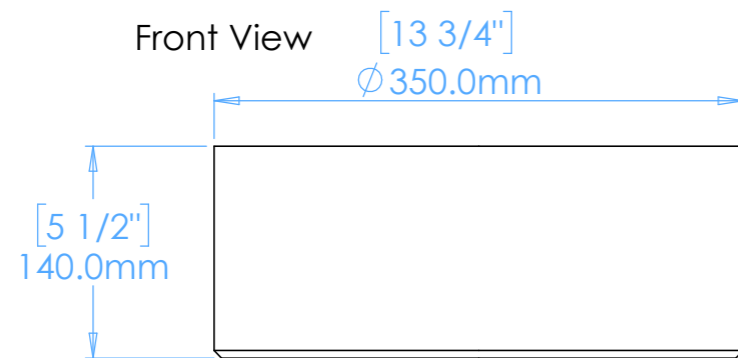


Oska A1

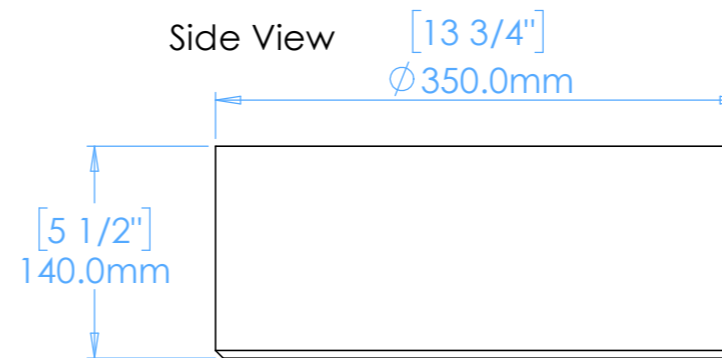
Plan View



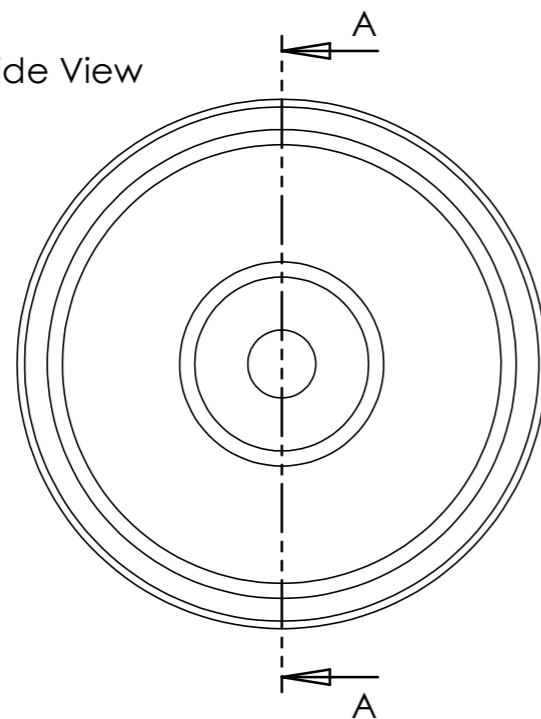
Front View



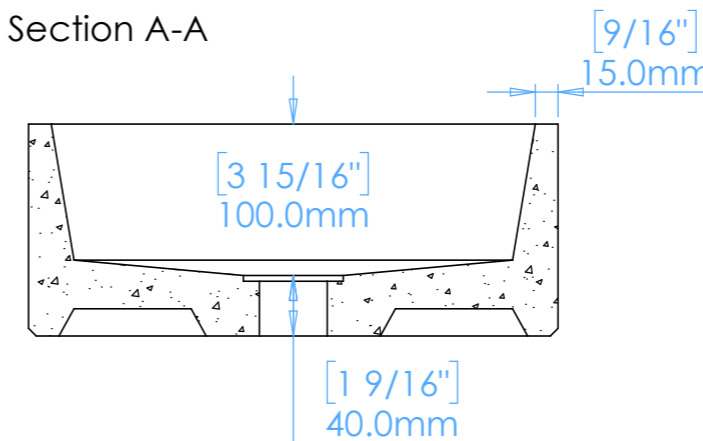
Side View



Underside View



Section A-A



NOTES

Unless otherwise specified, dimensions are in millimeters.

Kast take no responsibility for any dimensions obtained by scaling from this drawing.

DIMENSIONS:

D350mm (13 3/4inches)
H140mm (5 1/2inches)

CODE:	OS.A1
WEIGHT:	14kg / 31lbs
BRACKETS:	Not Included
DRAWN BY:	DB
TOLERANCE:	+/- 3mm

Kast

Meden Court
Boughton
Nottinghamshire
NG22 9YU

+44 (0) 1623 709249
info@kastconcretebasins.com
kastconcretebasins.com