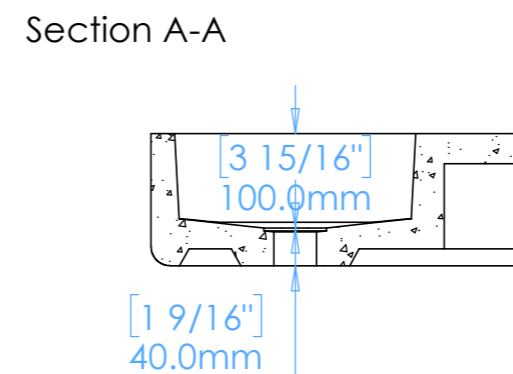
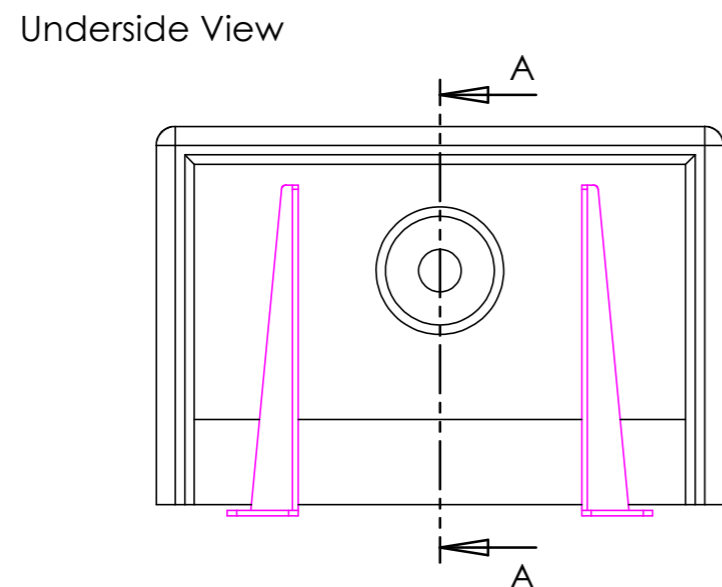
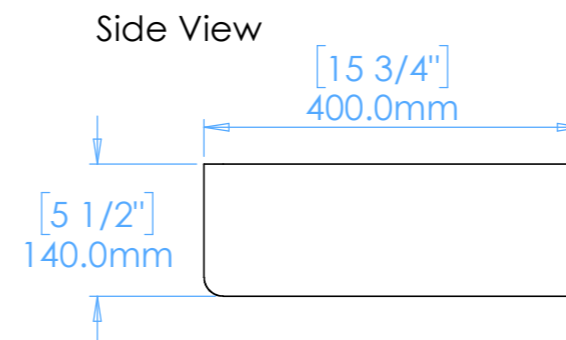
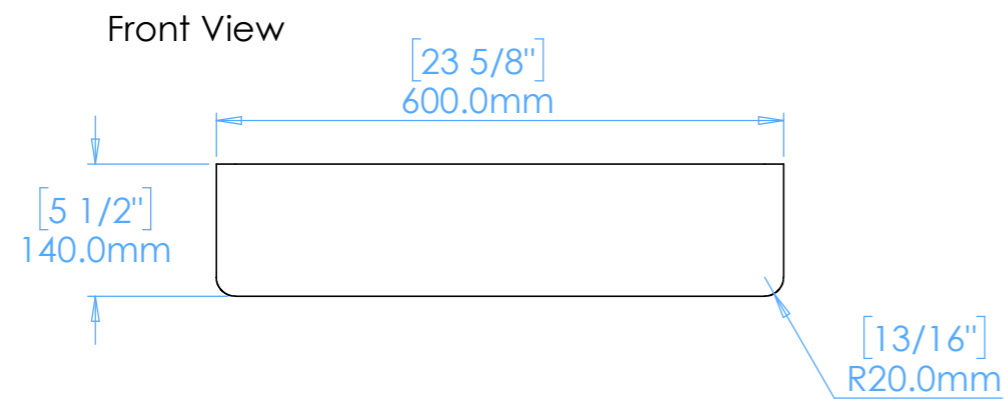
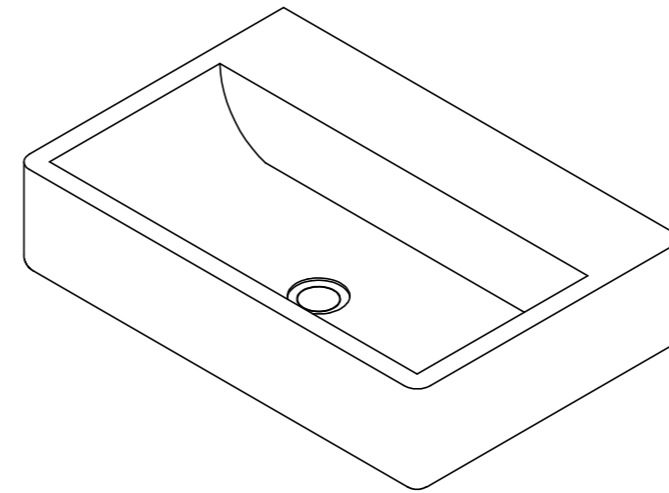
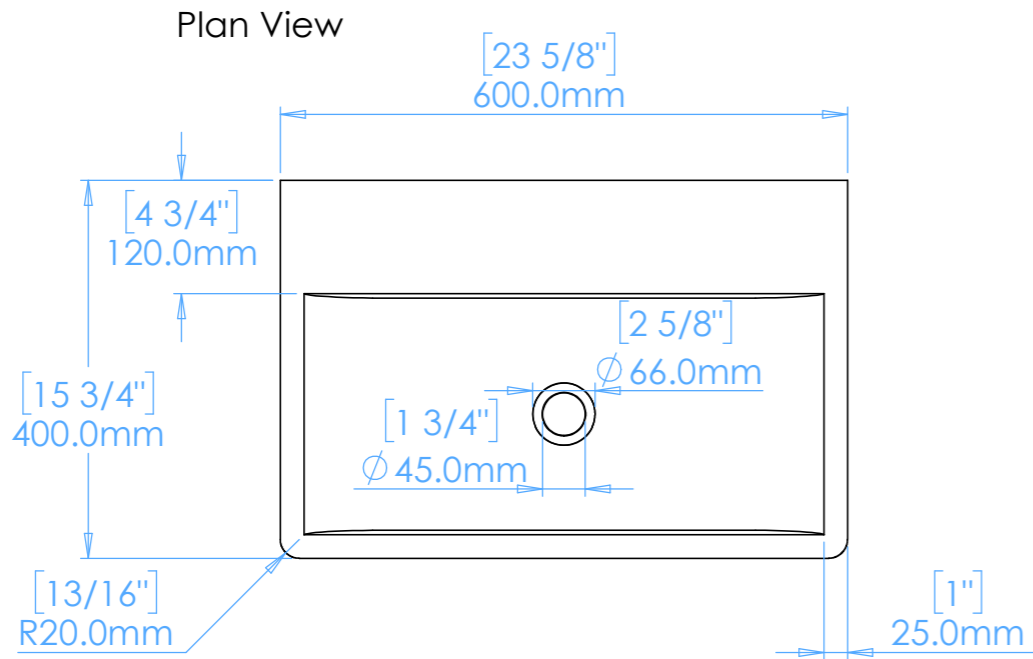


# Nilo B1



## NOTES

Unless otherwise specified, dimensions are in millimeters.

Kast take no responsibility for any dimensions obtained by scaling from this drawing.

## DIMENSIONS:

L600mm (23 5/8inches)  
W400mm (15 3/4inches)  
H140mm (5 1/2inches)

CODE:	N.B1
WEIGHT:	34kg / 75lbs
BRACKETS:	Included
DRAWN BY:	DB
TOLERANCE:	+/- 3mm

# Kast

Meden Court  
Boughton  
Nottinghamshire  
NG22 9YU

+44 (0) 1623 709249  
info@kastconcretebasins.com  
kastconcretebasins.com