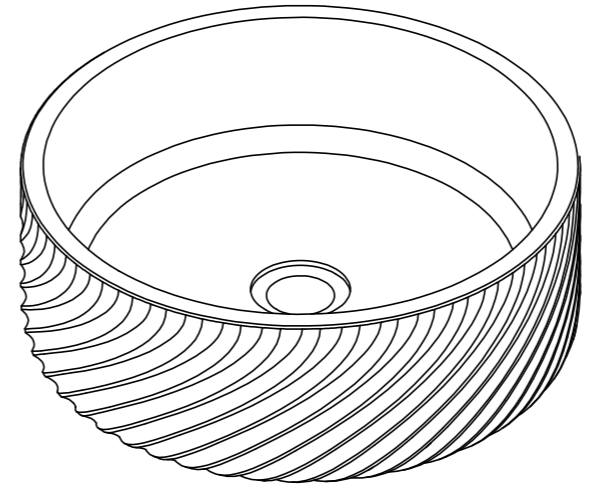
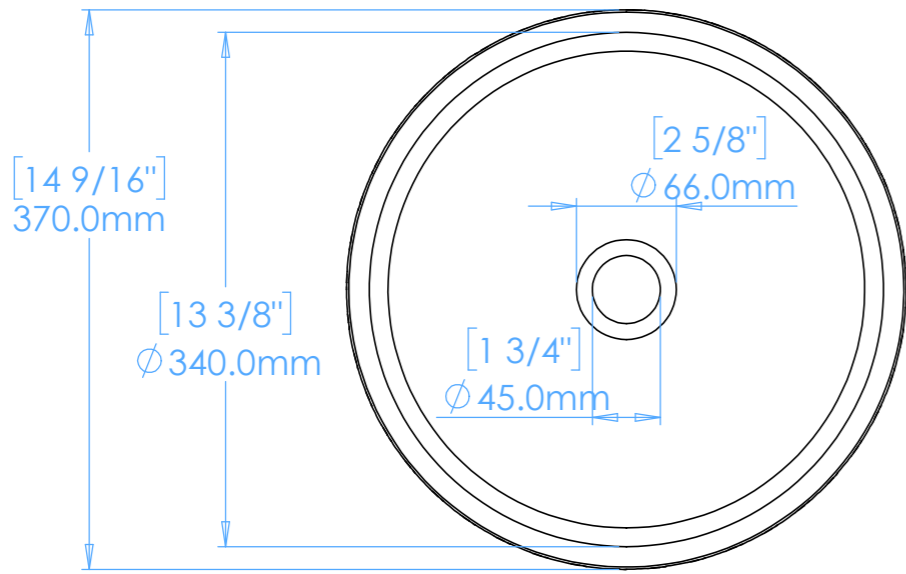
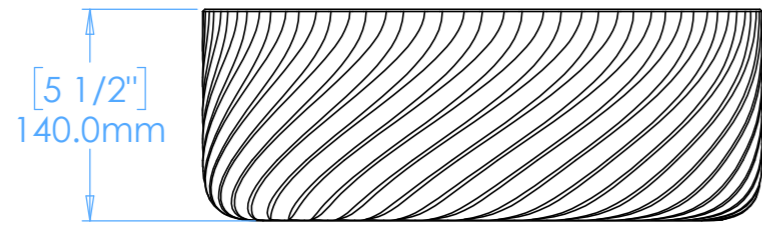


Mila A1

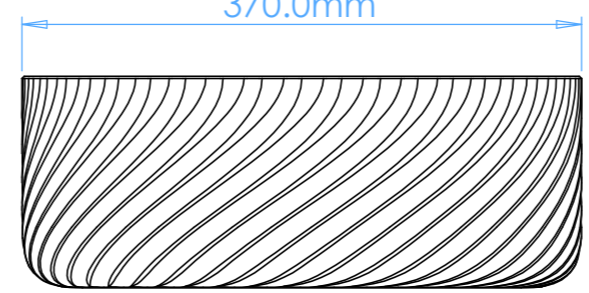
Plan View



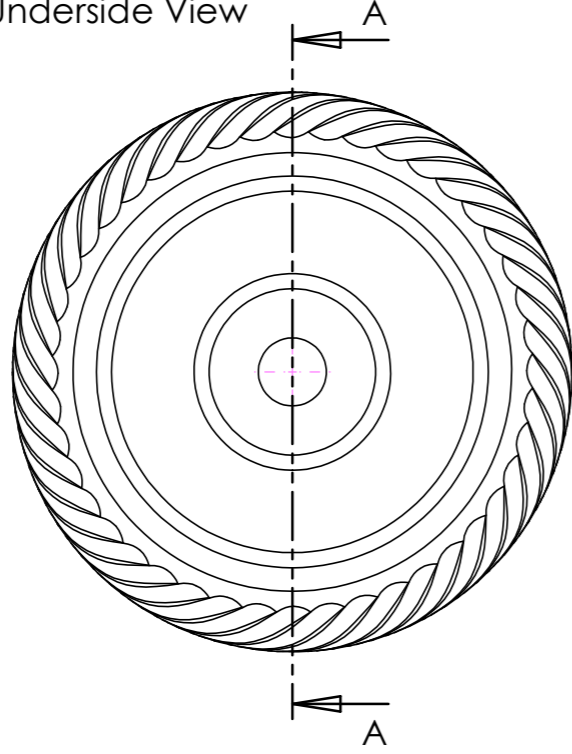
Front View



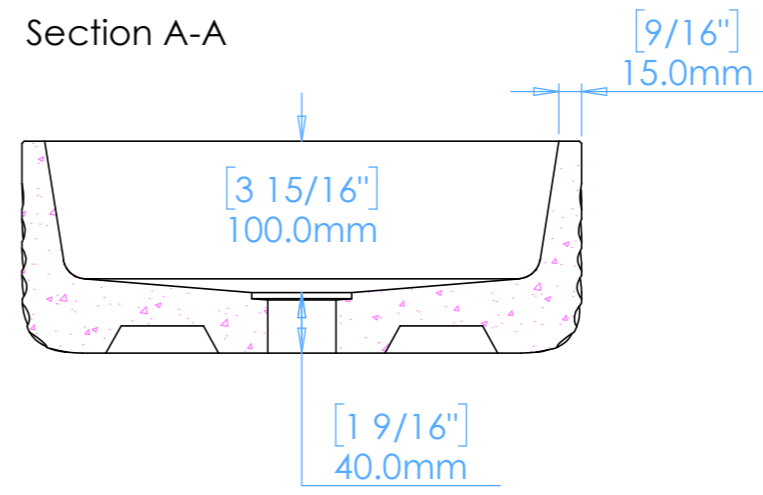
Side View



Underside View



Section A-A



NOTES

Unless otherwise specified, dimensions are in millimeters.
 Kast take no responsibility for any dimensions obtained by scaling from this drawing.

DIMENSIONS:	
D370mm (14 9/16inches) H140 mm (5 1/2inches)	
CODE:	ML.A1
WEIGHT:	16kg / 35lbs
BRACKETS:	Not Included
DRAWN BY:	DB
TOLERANCE:	+/- 3mm



Meden Court
 Boughton
 Nottinghamshire
 NG22 9YU
 +44 (0) 1623 709249
 info@kastconcretebasins.com
 kastconcretebasins.com