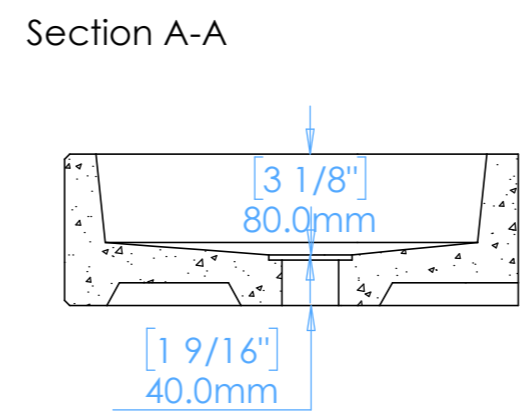
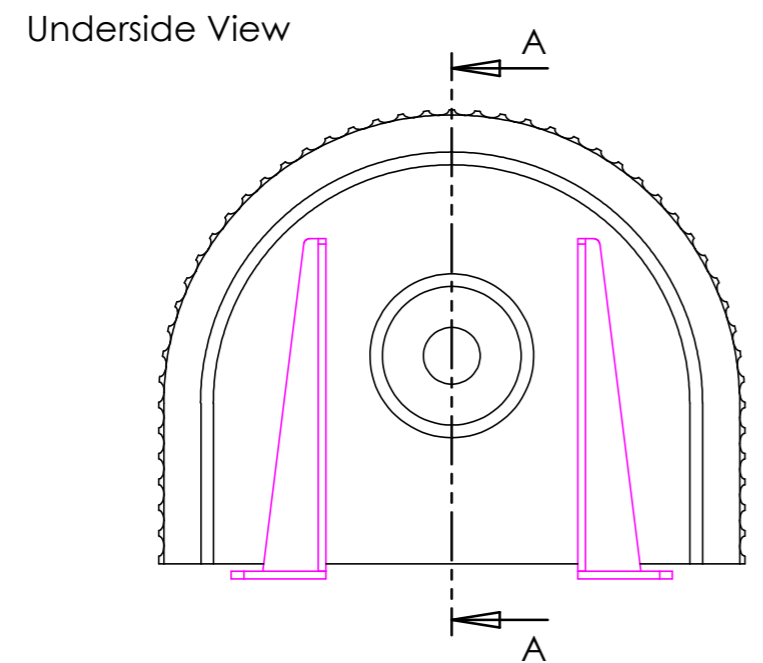
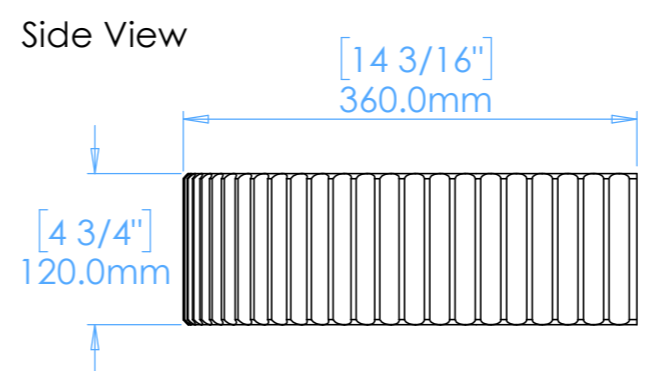
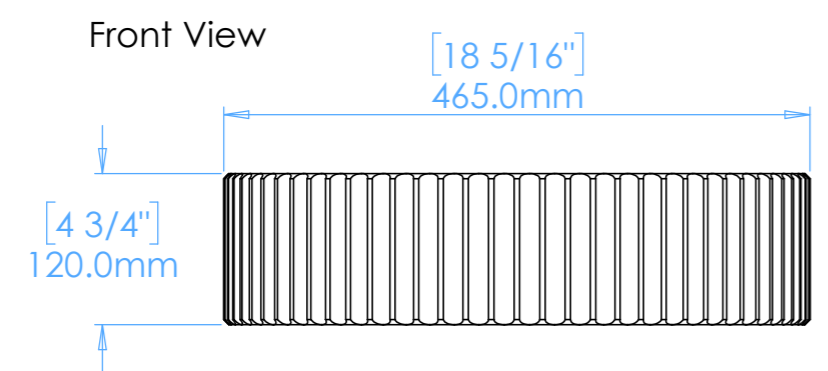
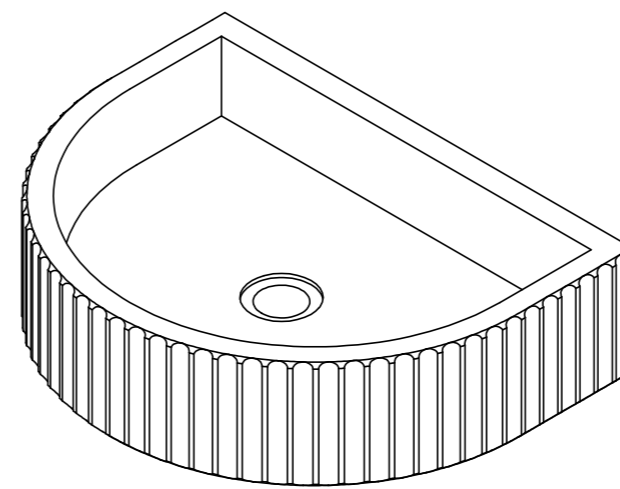
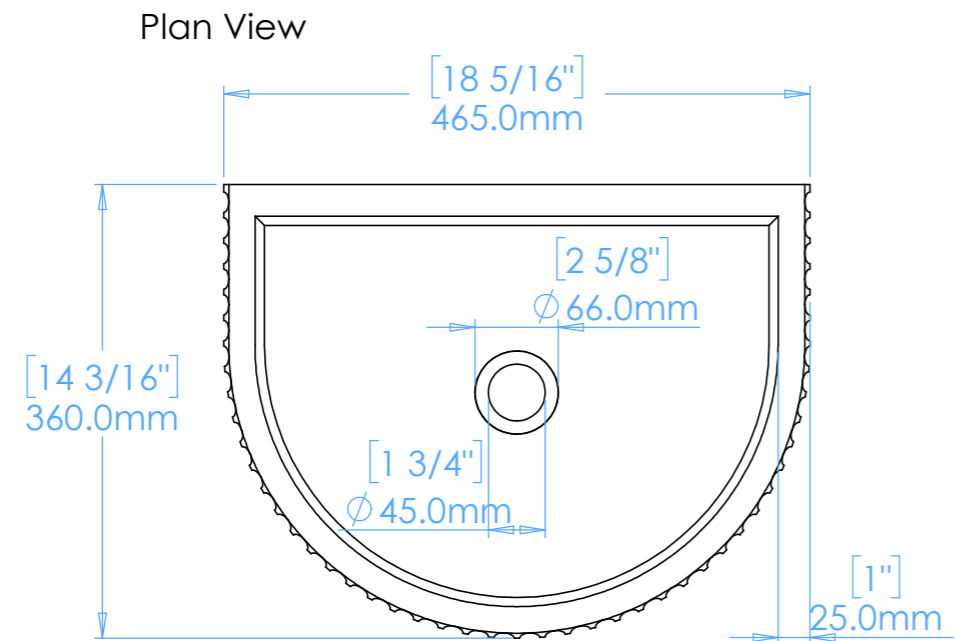


# Luna A1



NOTES

Unless otherwise specified, dimensions are in millimeters.

Kast take no responsibility for any dimensions obtained by scaling from this drawing.

DIMENSIONS:	
L465mm (18 5/16inches) W360mm (14 3/16inches) H120mm (4 3/4inches)	
CODE:	LN.A1
WEIGHT:	17kg / 38lbs
BRACKETS:	Included
DRAWN BY:	DB
TOLERANCE:	+/- 3mm

**Kast**

Meden Court  
Boughton  
Nottinghamshire  
NG22 9YU

+44 (0) 1623 709249  
info@kastconcretebasins.com  
kastconcretebasins.com