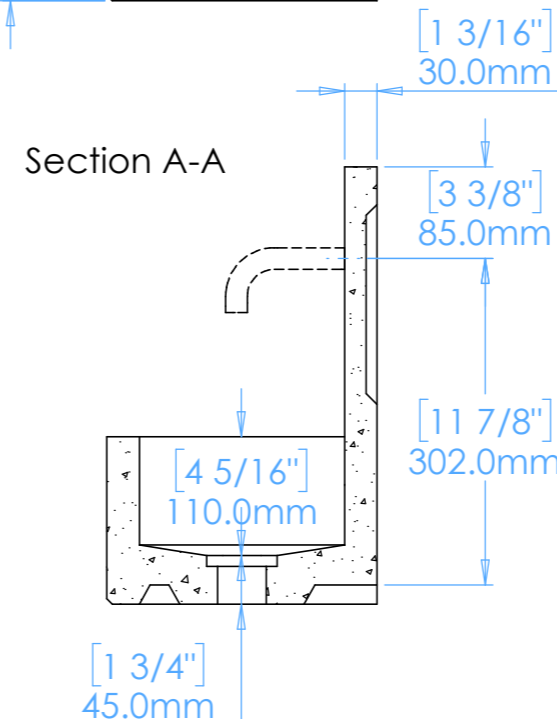
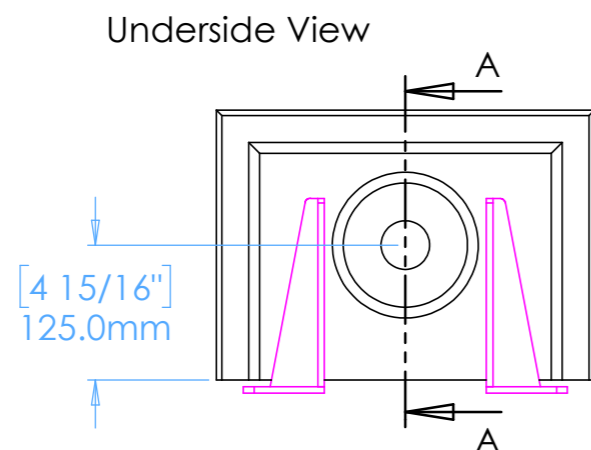
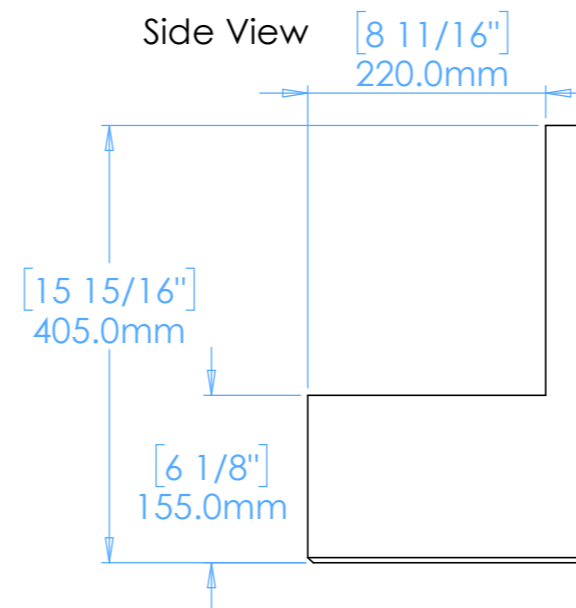
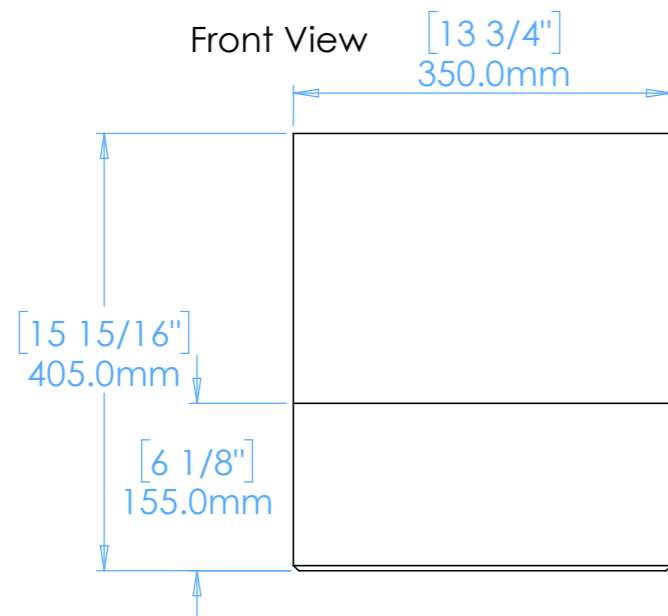
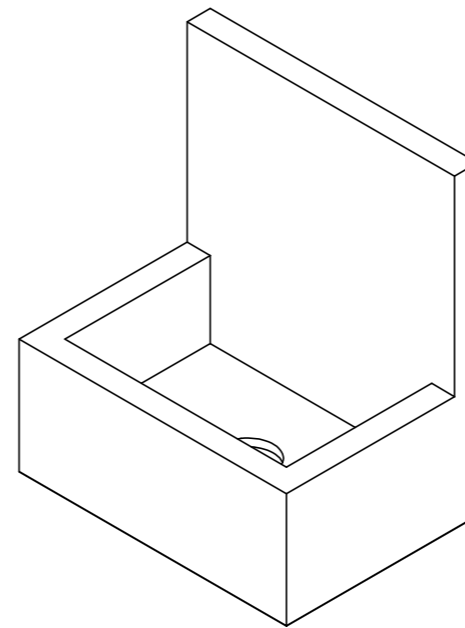
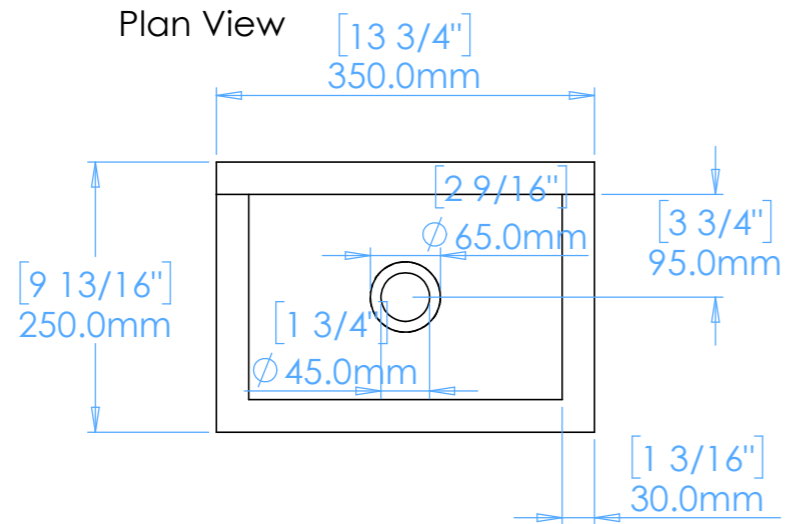


Kern Mini A1



NOTES
 Unless otherwise specified, dimensions are in millimeters.
 Kast take no responsibility for any dimensions obtained by scaling from this drawing.

DIMENSIONS:	
L350mm (13 3/4inches) W250mm (9 13/16inches) H405mm (15 15/16inches)	
CODE:	KM.A1
WEIGHT:	24kg / 53lbs
BRACKETS:	Included
DRAWN BY:	DB
TOLERANCE:	+/- 3mm

Kast
 Meden Court
 Boughton
 Nottinghamshire
 NG22 9YU
 +44 (0) 1623 709249
 info@kastconcretebasins.com
 kastconcretebasins.com