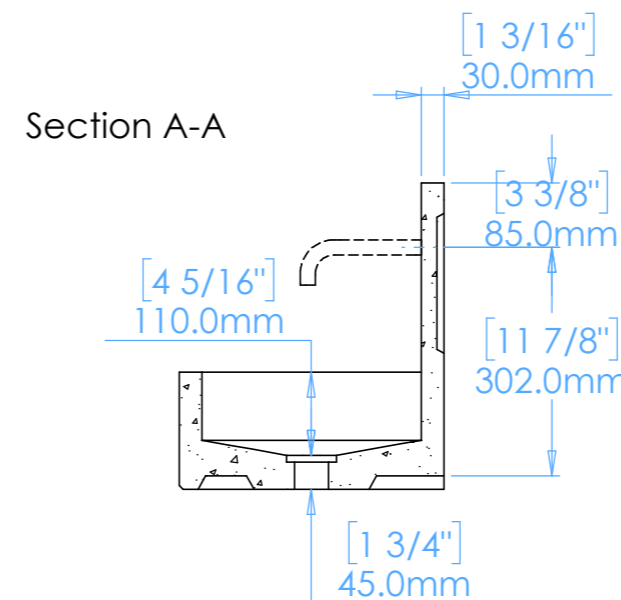
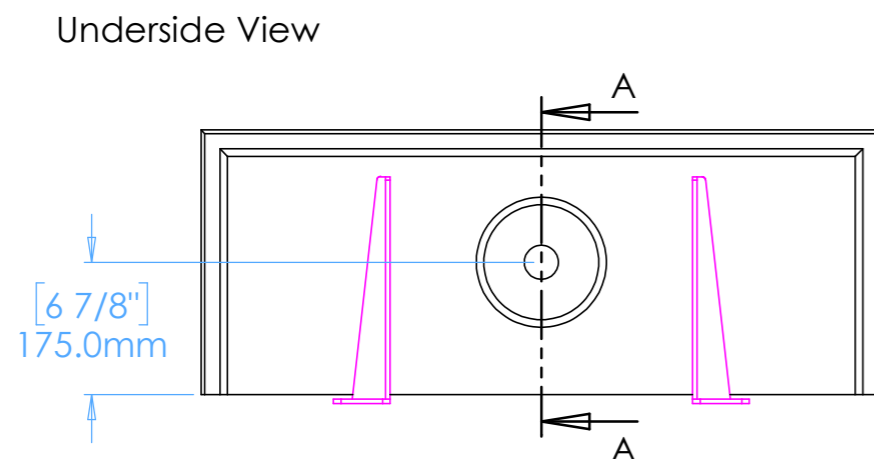
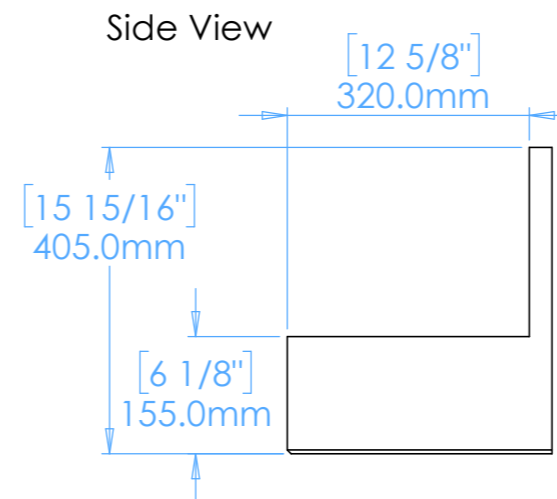
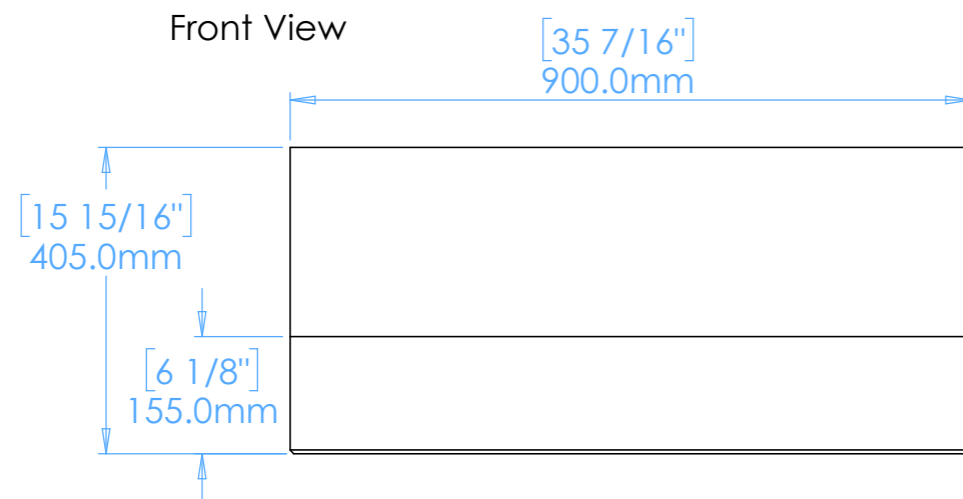
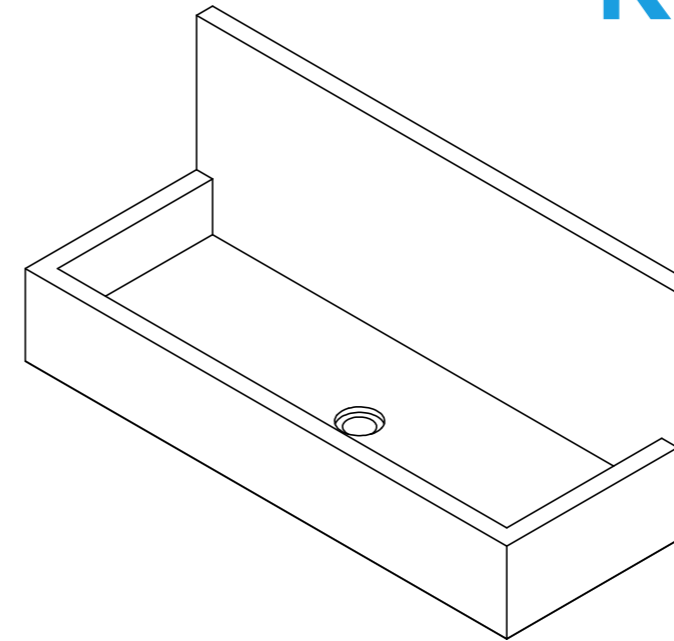
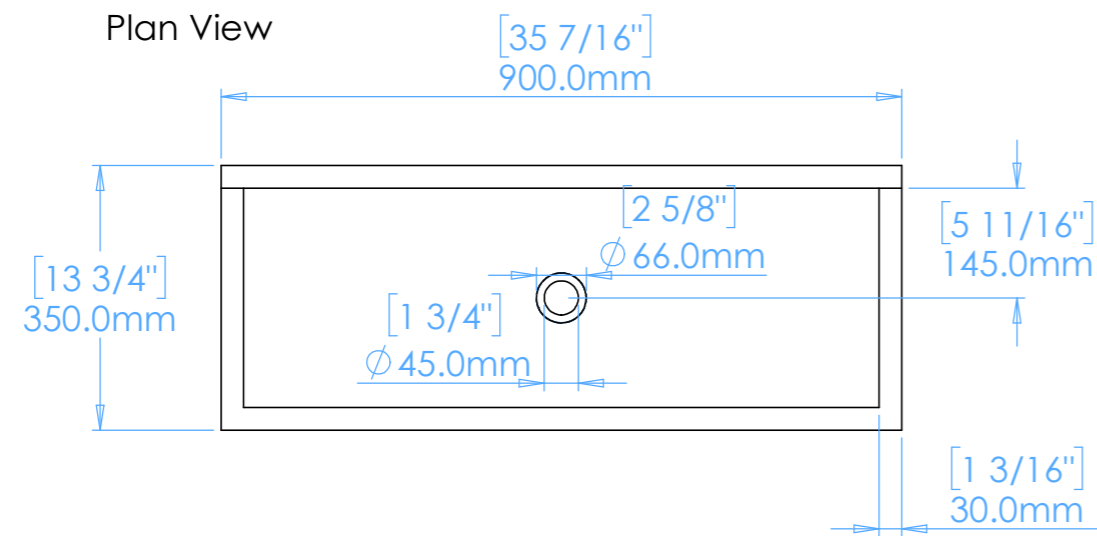


Kern B1



NOTES

Unless otherwise specified, dimensions are in millimeters.

Kast take no responsibility for any dimensions obtained by scaling from this drawing.

DIMENSIONS:

L900mm (35 7/16inches)
 W350mm (13 3/4inches)
 H405mm (15 15/16inches)

CODE:	K.B1
WEIGHT:	72kg / 159lbs
BRACKETS:	Included
DRAWN BY:	DB
TOLERANCE:	+/- 3mm

Kast

Meden Court
 Boughton
 Nottinghamshire
 NG22 9YU

+44 (0) 1623 709249
 info@kastconcretebasins.com
 kastconcretebasins.com