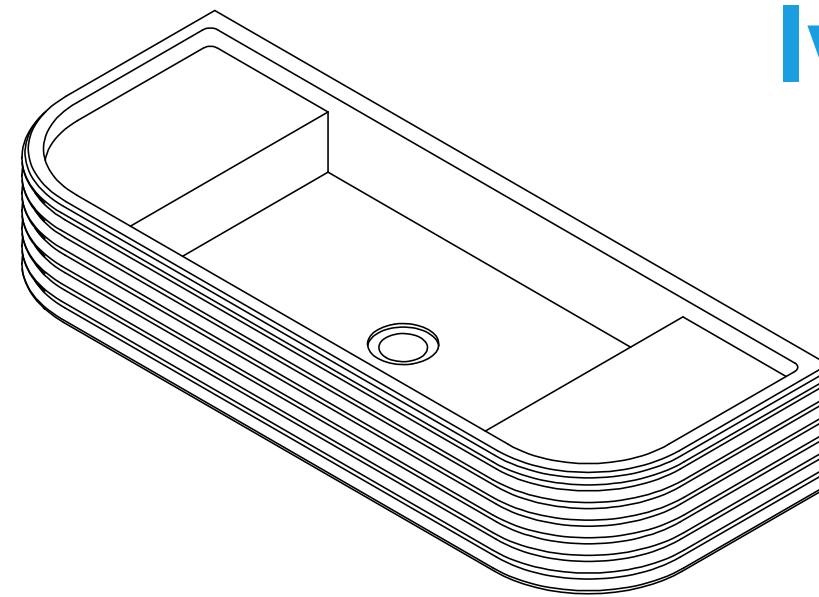
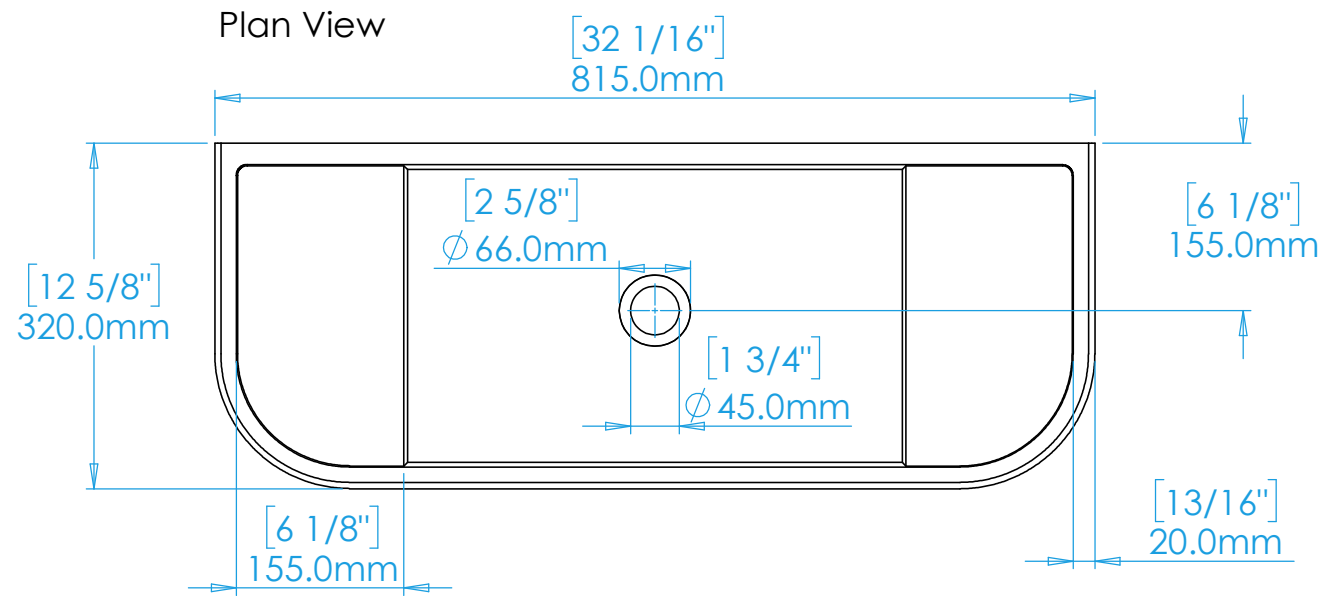


Iva A1

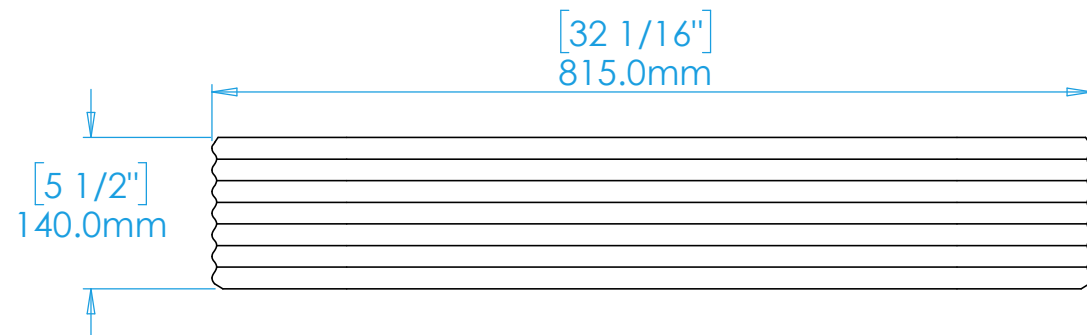
NOTES

Unless otherwise specified, dimensions are in millimeters.

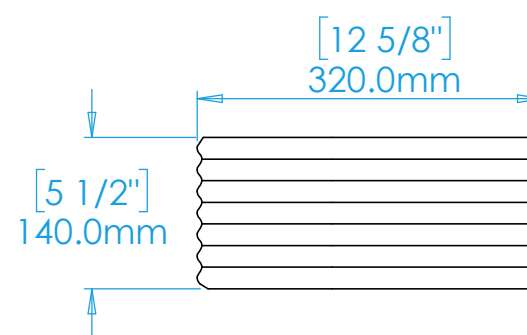
Kast take no responsibility for any dimensions obtained by scaling from this drawing.



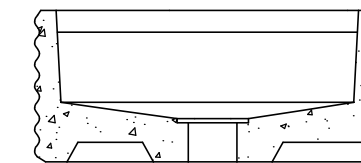
Front View



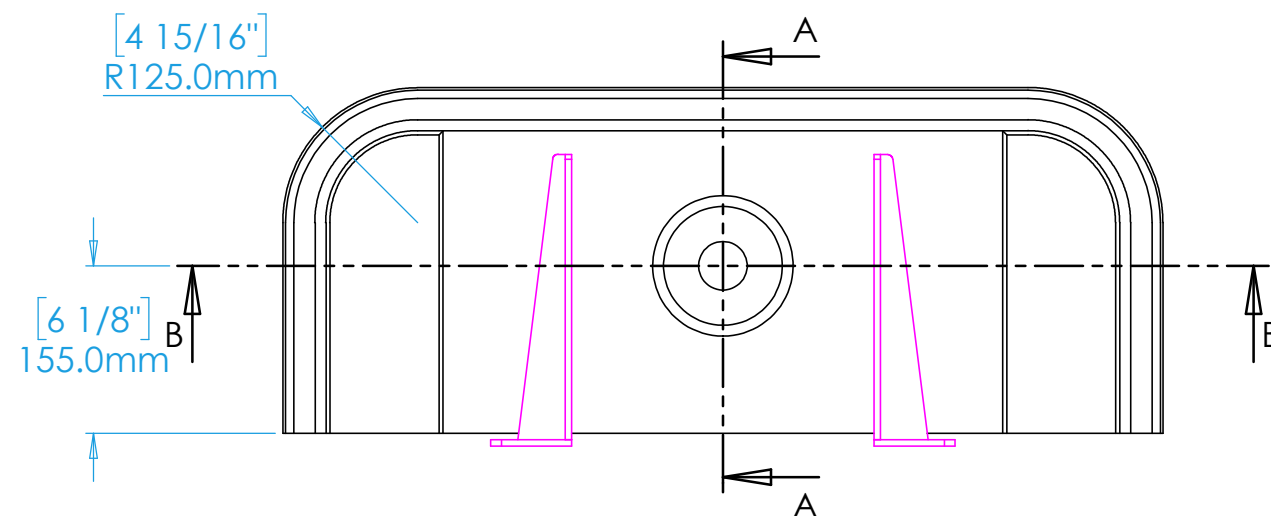
Side View



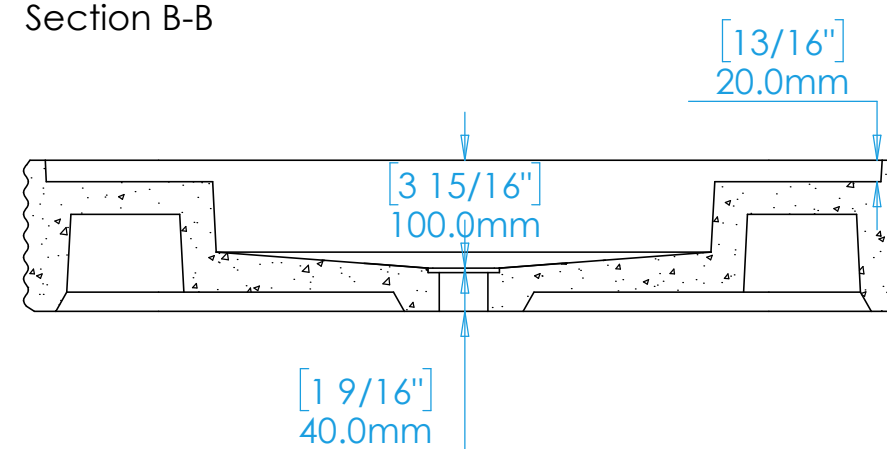
Section A-A



Underside View



Section B-B



DIMENSIONS:

L815mm (32 1/16inches)
W320mm (12 5/8inches)
H140mm (5 1/2inches)

CODE:	IV.A1
WEIGHT:	33kg / 73lbs
BRACKETS:	Included
DRAWN BY:	DB
TOLERANCE:	+/- 3mm

Kast

Meden Court
Boughton
Nottinghamshire
NG22 9YU

+44 (0) 1623 709249
info@kastconcretebasins.com
kastconcretebasins.com