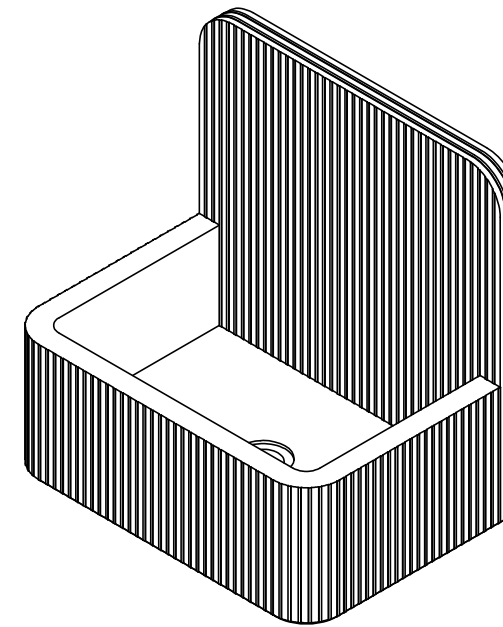
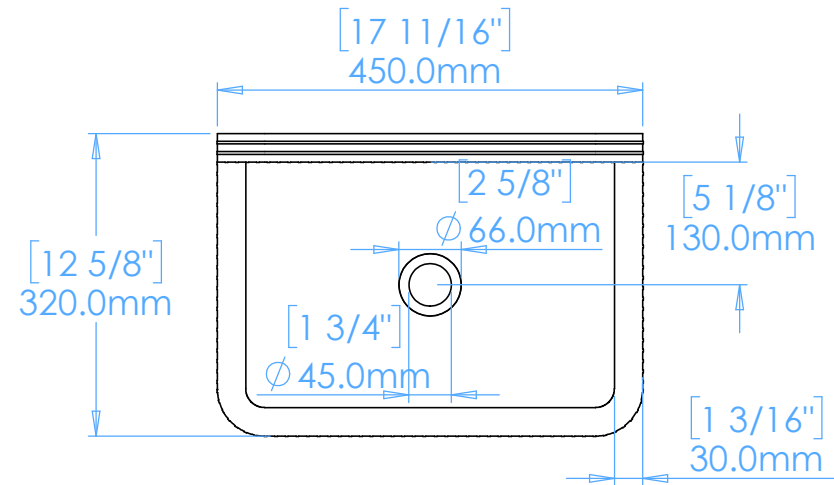
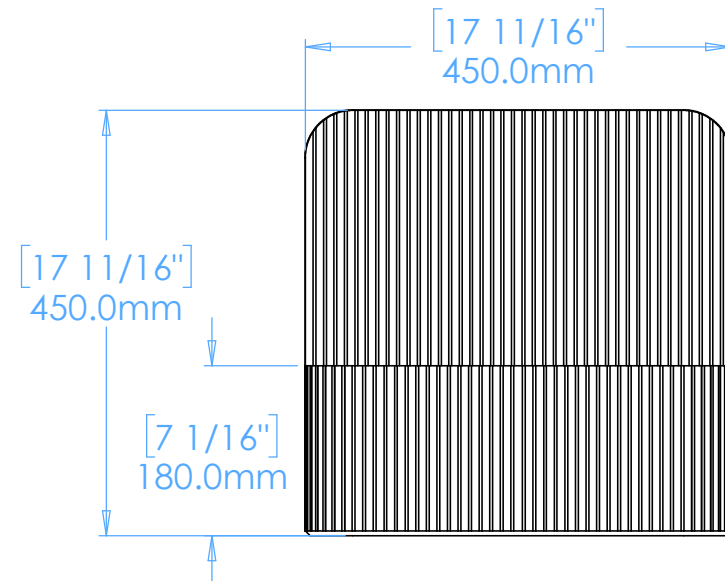


Elm Mini A1

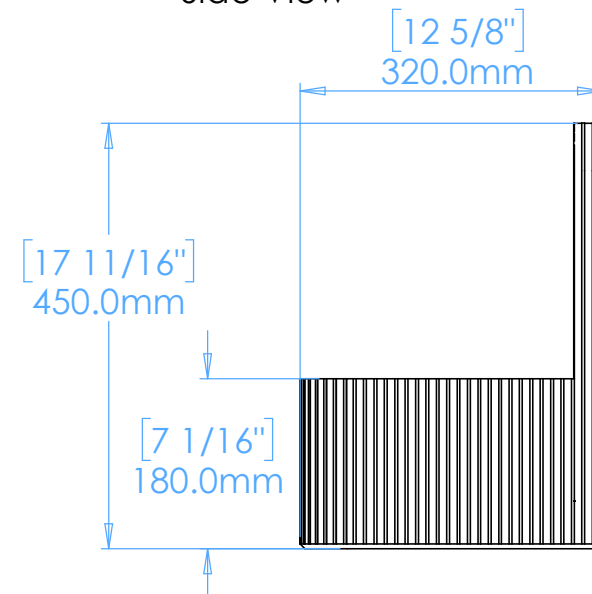
Plan View



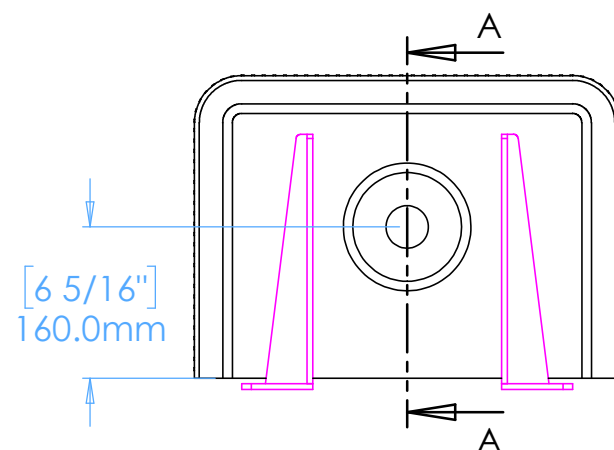
Front View



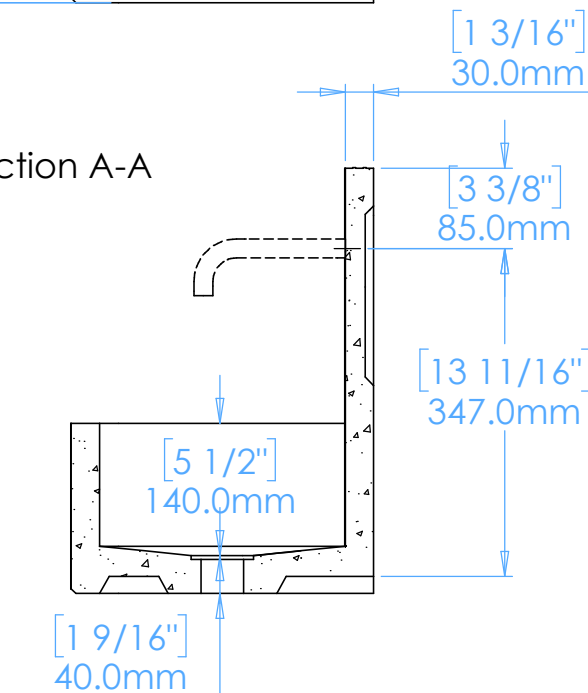
Side View



Underside View



Section A-A



NOTES

Unless otherwise specified, dimensions are in millimeters.

Kast take no responsibility for any dimensions obtained by scaling from this drawing.

DIMENSIONS:

L450mm (17 11/16inches)
W320mm (12 5/8inches)
H450mm (17 11/16inches)

CODE:	EM.A1
WEIGHT:	35kg / 77lbs
BRACKETS:	Included
DRAWN BY:	DB
TOLERANCE:	+/- 3mm

Kast

Meden Court
Boughton
Nottinghamshire
NG22 9YU

+44 (0) 1623 709249
info@kastconcretebasins.com
kastconcretebasins.com