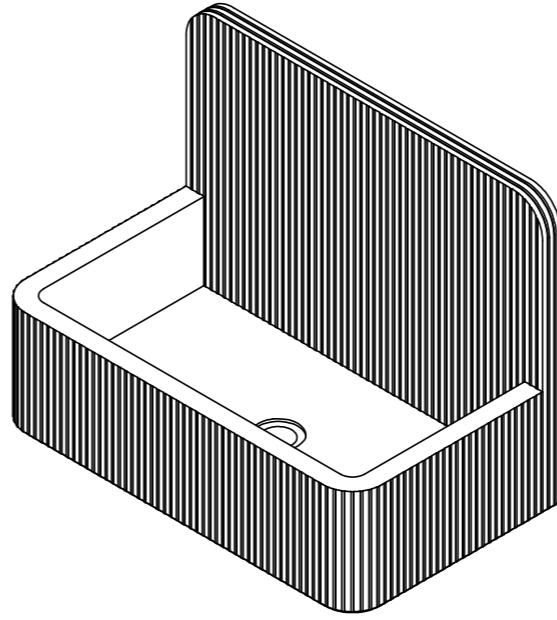
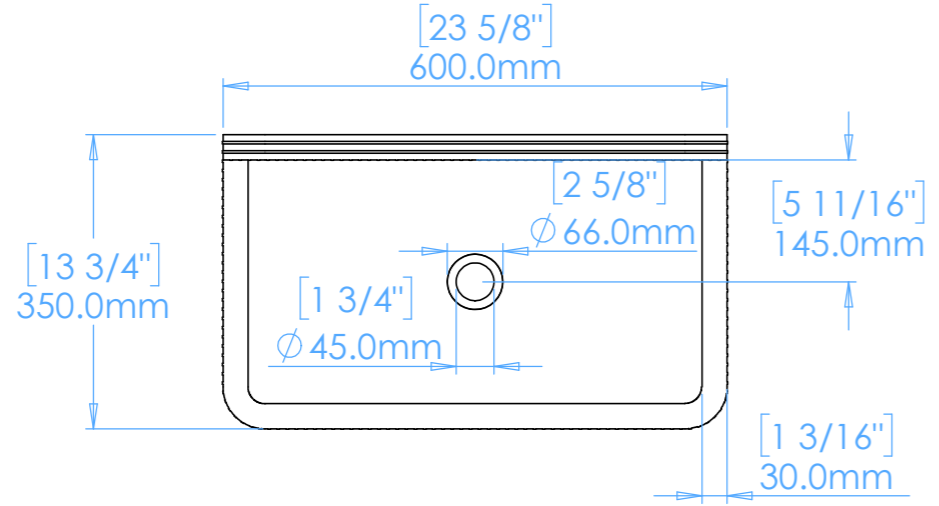
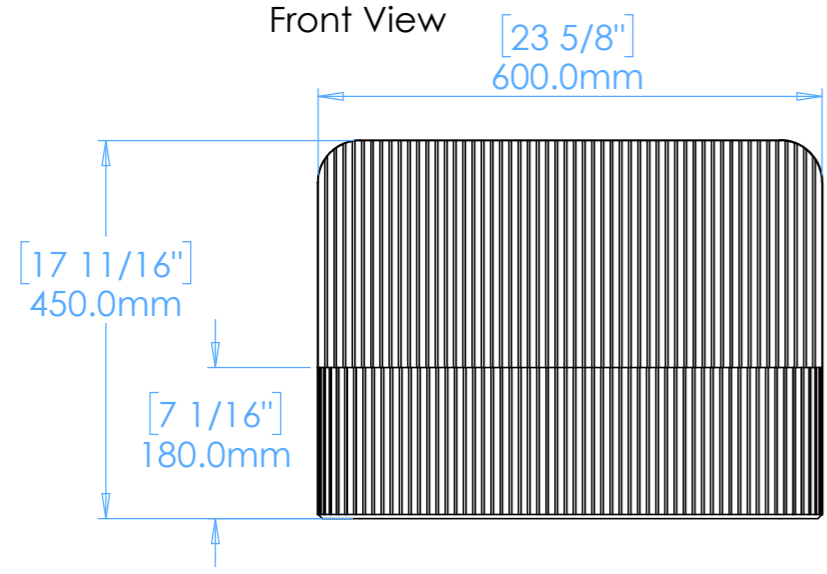


Elm A1

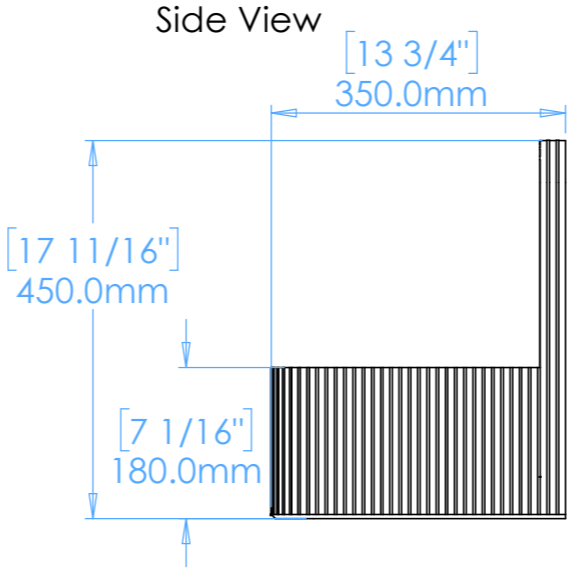
Plan View



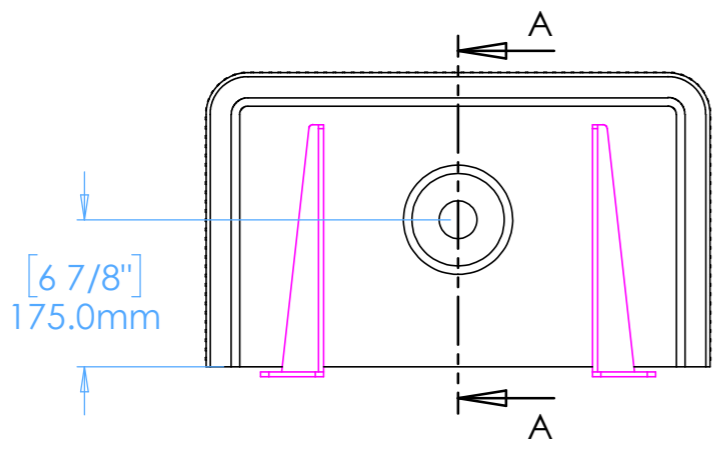
Front View



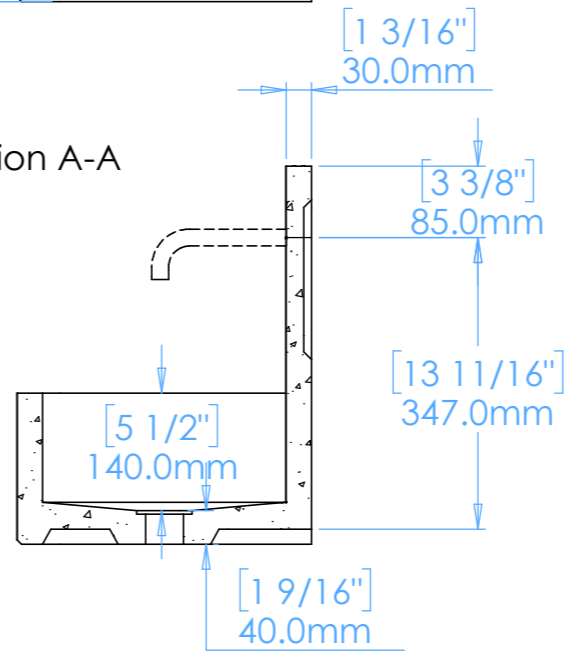
Side View



Underside View



Section A-A



NOTES
 Unless otherwise specified,
 dimensions are in millimeters.
 Kast take no responsibility for any
 dimensions obtained by scaling from
 this drawing.

DIMENSIONS:	
L600mm (23 5/8inches) W350mm (13 3/4inches) H450mm (17 11/16inches)	
CODE:	E.A1
WEIGHT:	50kg / 110lbs
BRACKETS:	Included
DRAWN BY:	DB
TOLERANCE:	+/- 3mm

Kast

Meden Court
 Boughton
 Nottinghamshire
 NG22 9YU
 +44 (0) 1623 709249
 info@kastconcretebasins.com
 kastconcretebasins.com